

# Nanjing BKN Automation System Co.,LTD



## Company Profile

Nanjing BOKENA Automation System Co.,Ltd., originated from Electromagnetic Testing Laboratory of Nanjing University of Technology. It is an eddy current testing benchmark enterprise and has long been committed to the development and production of steel pipe flaw detection equipment. Our products are widely used in aerospace, electricity, petroleum, natural gas, metallurgical machinery and automotive industries and we have high proprietary intellectual property rights patent technology. Our products are exported to USA, Russia, Singapore, Thailand, India, Hongkong, Taiwan, Yemen, Kazakhstan, Iran, Japan, Korea, Brazil. We advocate "Technology is the strength, quality is the foundation, honesty is the basic," and "exceeding detection and creating value" is our tenet and team value.



Our company integrates technology, industry, trade and integration, has advanced production equipment, excellent research and development team and perfect quality system. We provide customer-centric design services to meet the different application needs of our users.

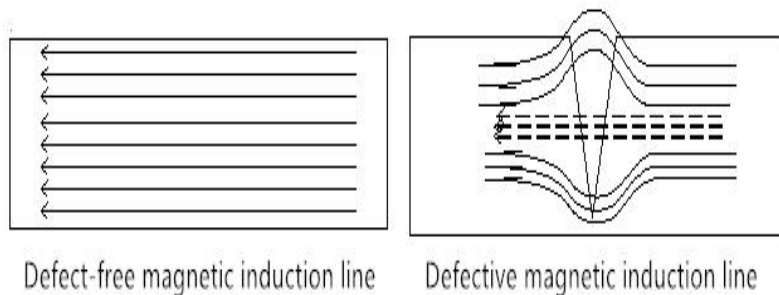


# High Frequency Electrical Resistance Weld Magnetic Flux Leakage Testing System

BKN adheres to the concept of “specialization, precision and strength” and is committed to the online and offline non-destructive testing of steel pipes, and has achieved good results in this field and has become a leader in the industry.

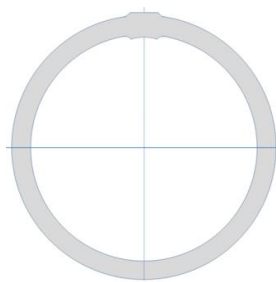
What is magnetic flux leakage field?

Among the defective materials, some of the magnetic flux will leak to the surface of the material, and it will re-enter the material by the air, and the magnetic flux will form a magnetic flux leakage.

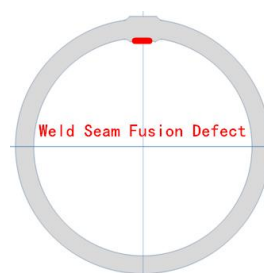


What is magnetic flux leakage detection?

Magnetic flux leakage detection means that after the ferromagnetic material is magnetized, a magnetic flux leakage field is formed on the inner and outer surfaces due to defects of the iron pipe. One can detect defects by detecting changes in the magnetic flux leakage field.



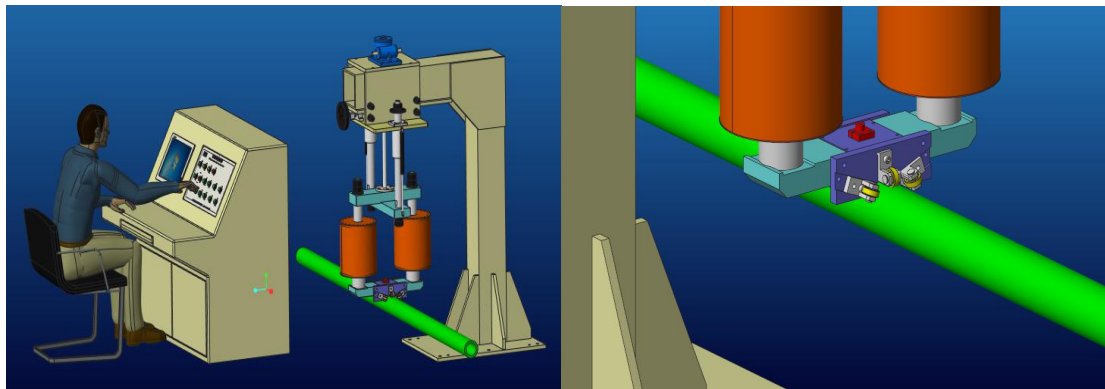
Sample for calibration of artificial manufacturing defects



Defect Sample of Weld Thickness Change

# BKNMFL-02CH two-channel magnetic flux leakage inspection system

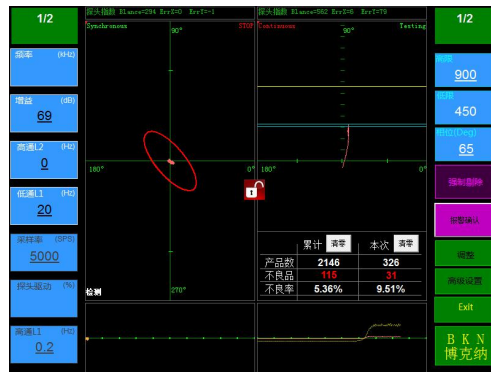
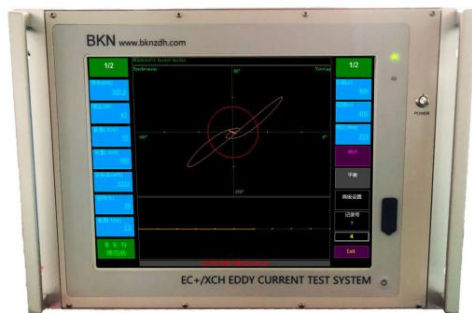
The two-channel instrument is used to drive coils and Hall elements to detect holes, inclusions, cracks, missed welds and long-distance open pipes of welded steel pipes, especially for non-fusion welding . When defective products are produced, it will timely report the alarm, output the bad alarm signal and mark, and defective products sorting signals are sent to the sawing control system of the unit.



Eddy Current Testing System for High Frequency Electrical Resistance Weld

BKNET-01CH Eddy Current Testing System

BKNET-02CH 2-channel eddy current testing system



The two-channel instrument is used to drive the differential and absolute probes respectively, and the holes, inclusions, cracks, leakage welding and long-distance open tubes of the welded steel pipe are detected. When defective products are produced, it will timely report the alarm, output the bad alarm signal and mark, and defective products sorting signals are sent to the sawing control system of the unit.



Weld Seam Inspection Round Pipe



Weld Seam Inspection of Square Tube



Weld Seam Inspection of  
Automotive Pipe



Inspection of High Frequency  
Welded Pipe and Weld Seam